

# FCX

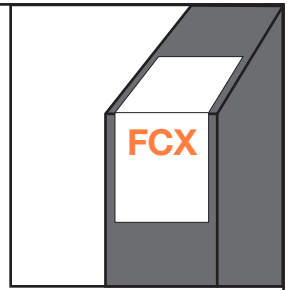


# 01

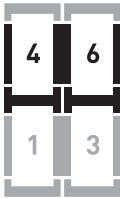
Pack 13



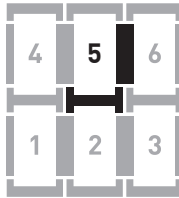
Pack 2



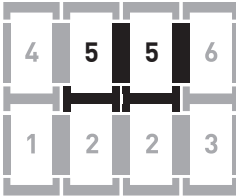
Pack 46



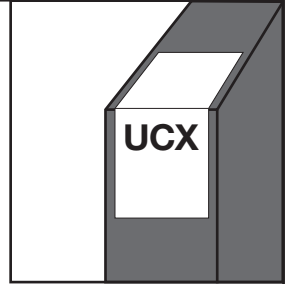
Pack 5



Pack 5



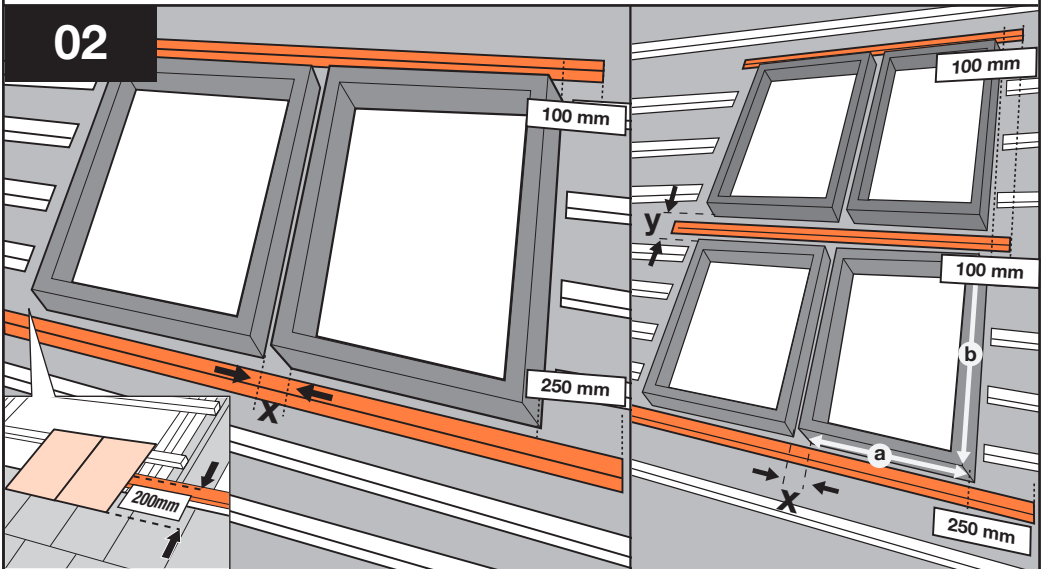
Pack 7

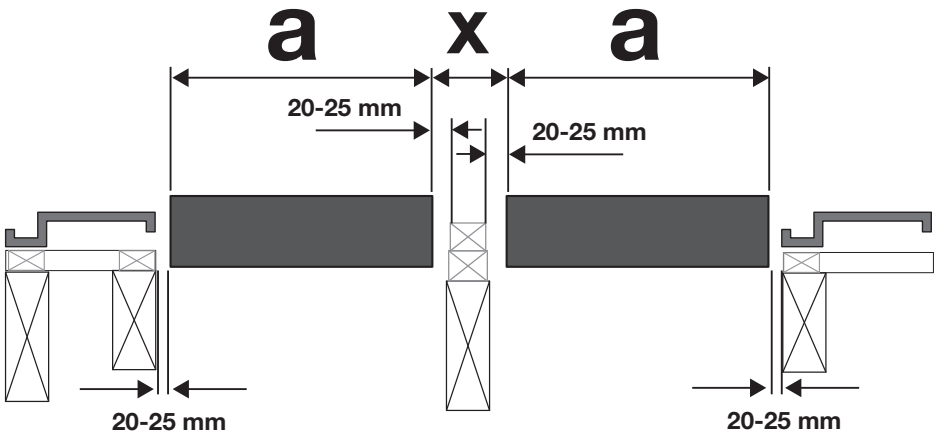
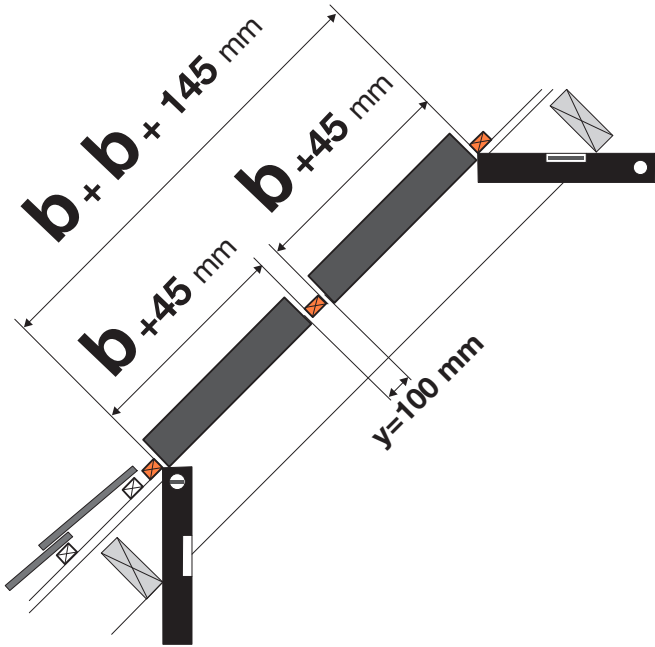


x= 100 mm: FCX ...13E, FCX ...2E, UCX ... 46EE, UCX ... 5EE  
 x= 120 mm: FCX ...13F, FCX ...2F, UCX ... 46FE, UCX ... 5FE  
 x=140 mm: FCX ...13G, FCX ...2G, UCX ... 46GE, UCX ... 5GE

y= 100 mm

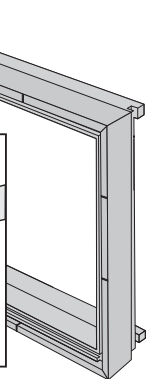
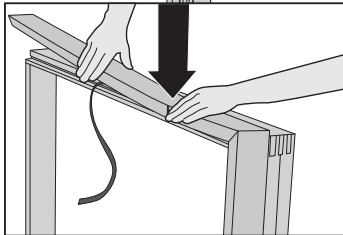
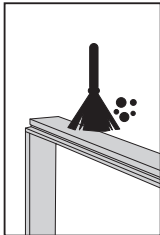
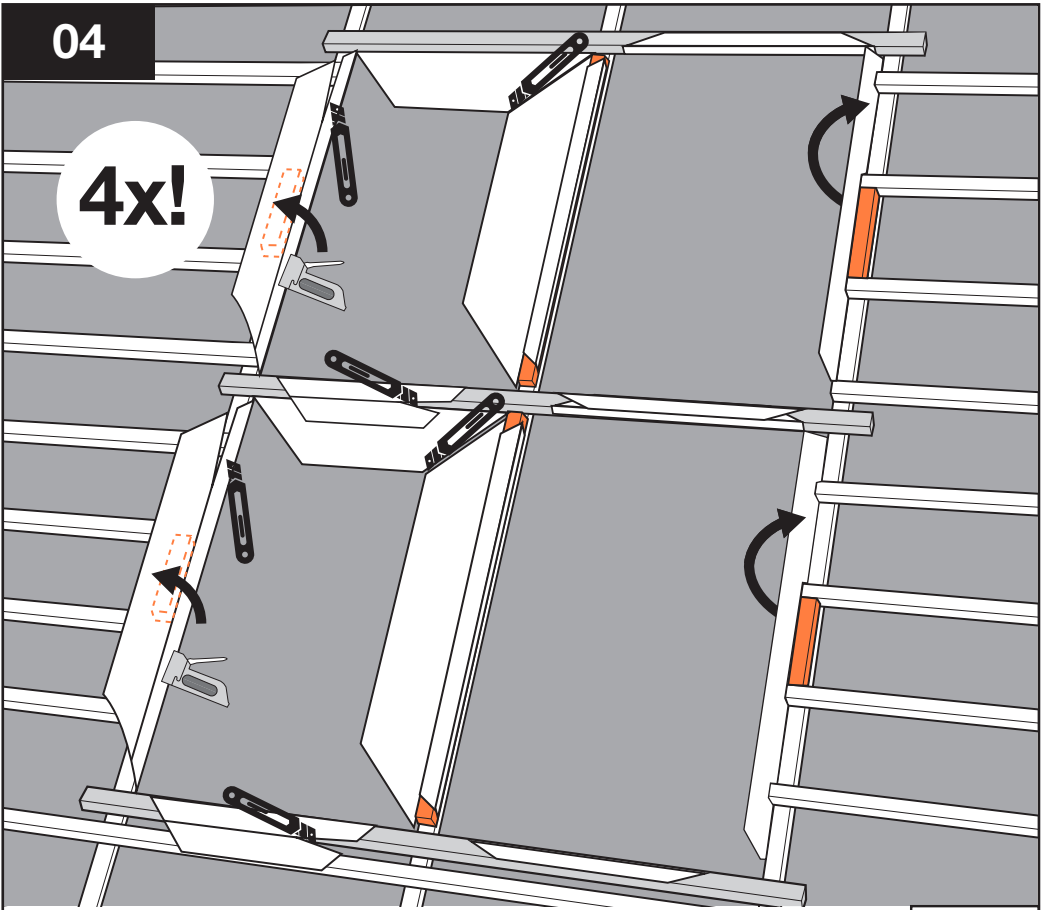
# 02



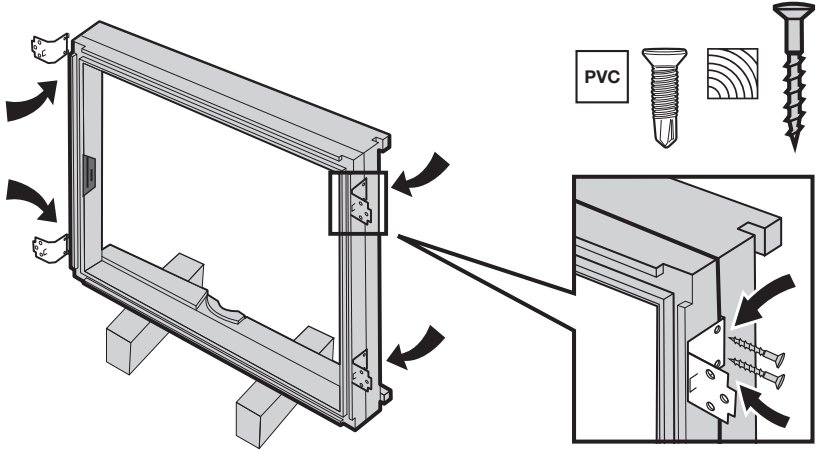


04

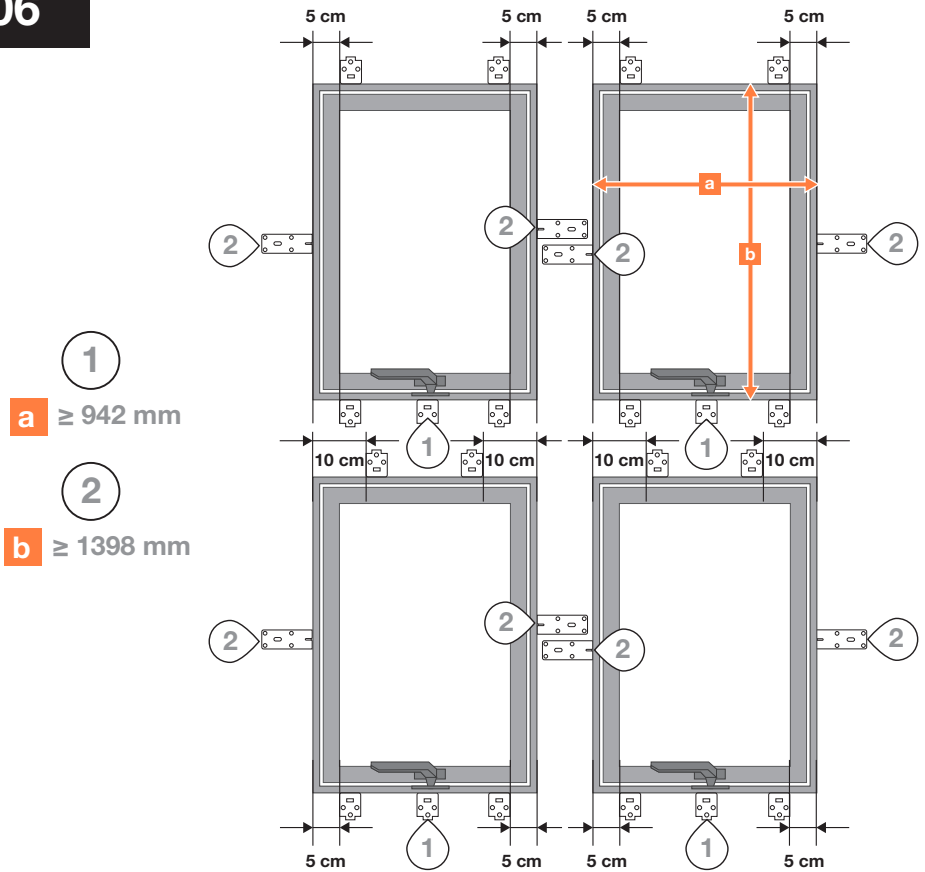
4x!



05



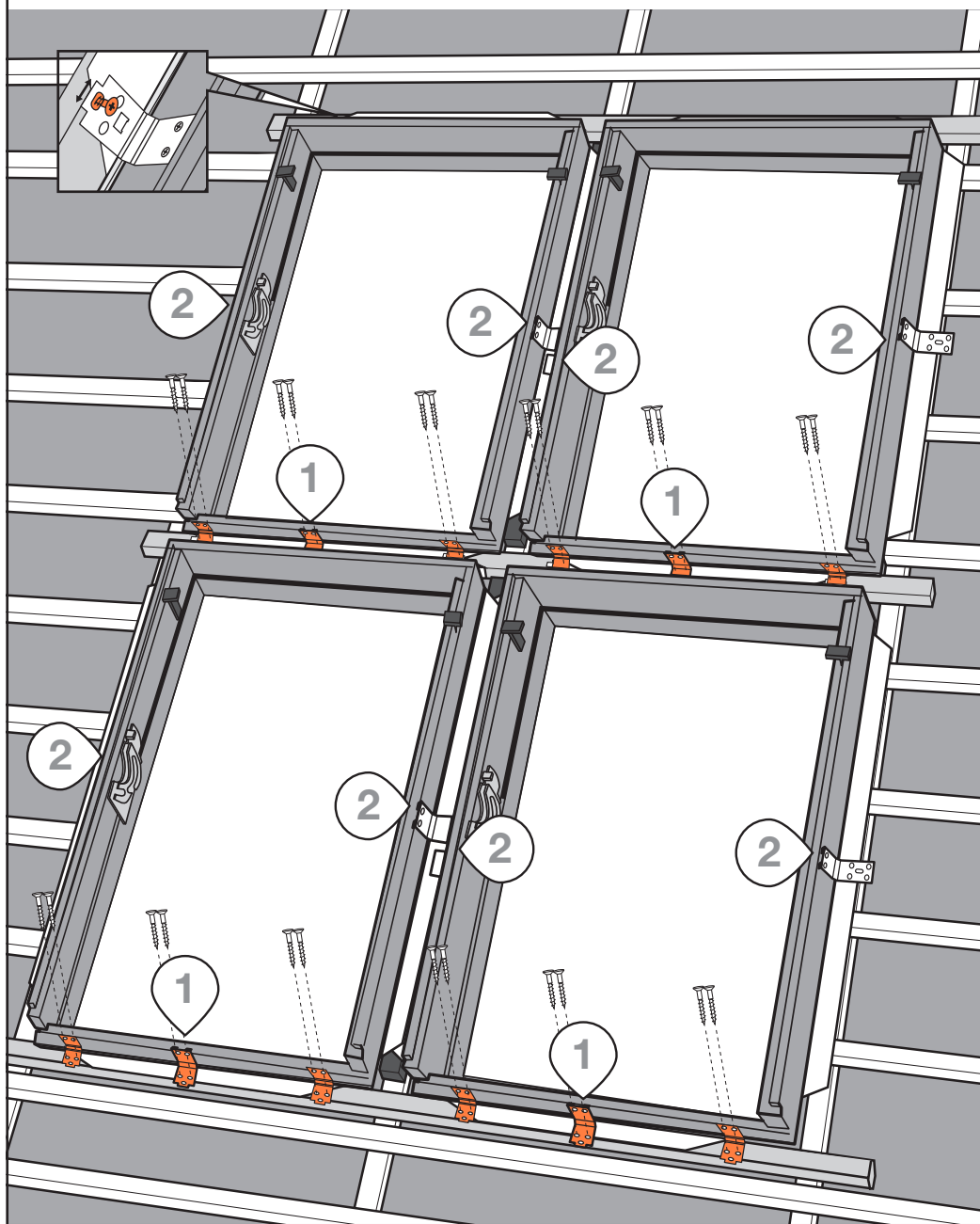
06



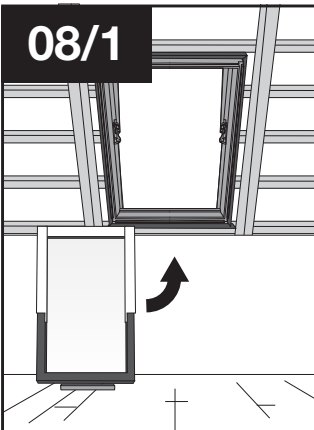
1

**a**  $\geq 942$  mm

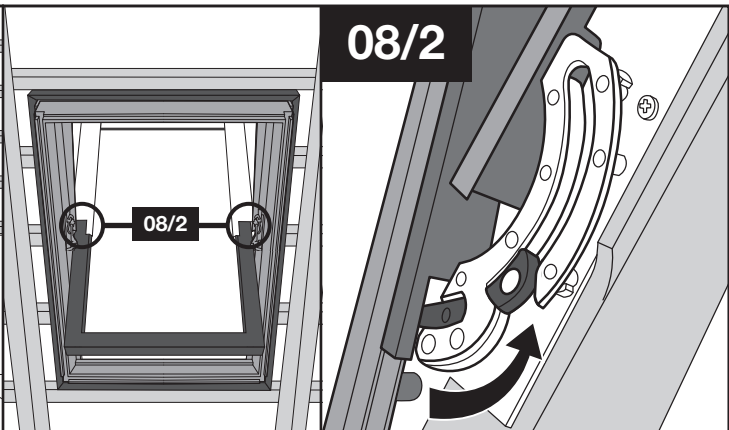
2

**b**  $\geq 1398$  mm

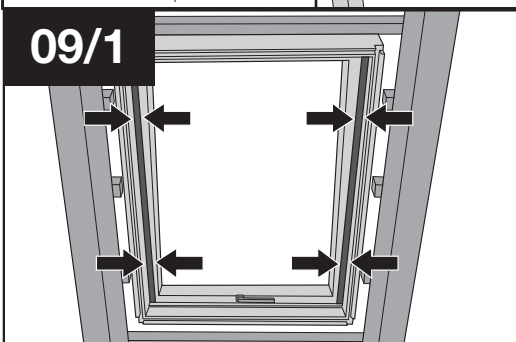
08/1



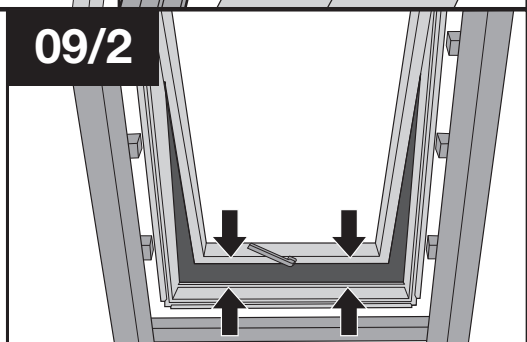
08/2



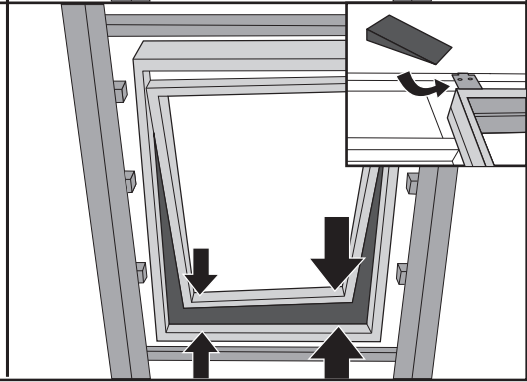
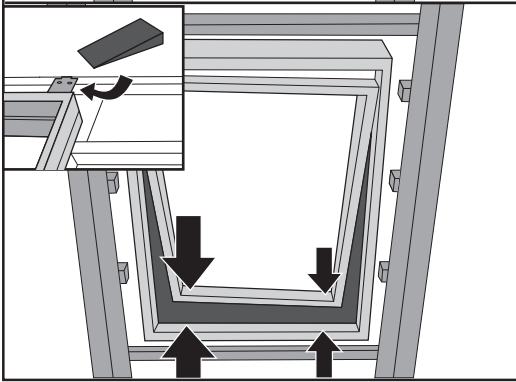
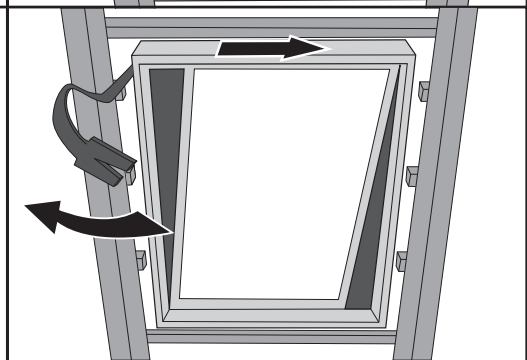
09/1



09/2



10

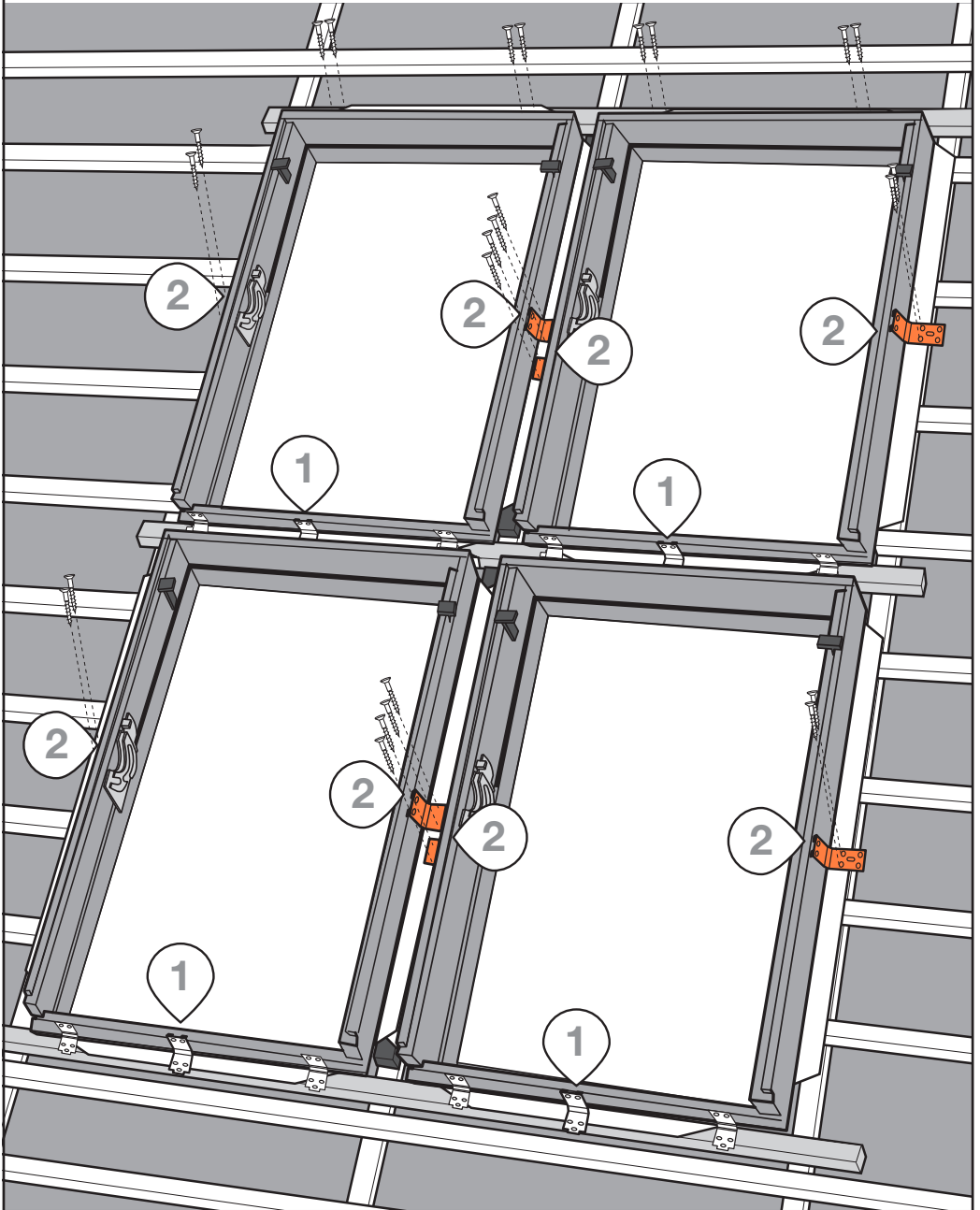




1

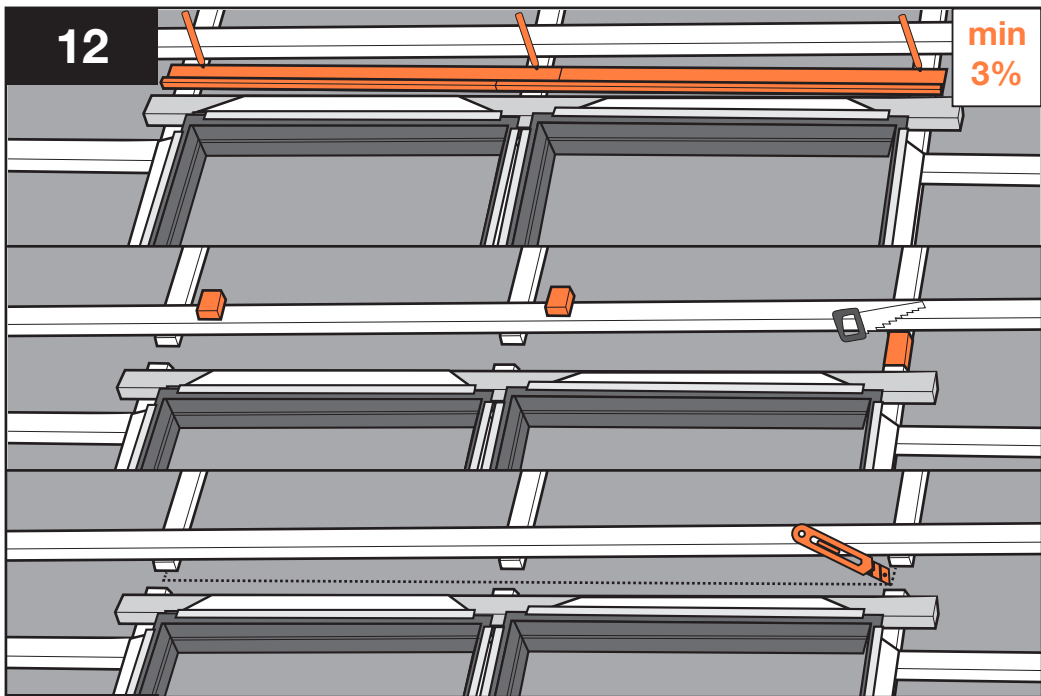
**a**  $\geq 942$  mm

2

**b**  $\geq 1398$  mm

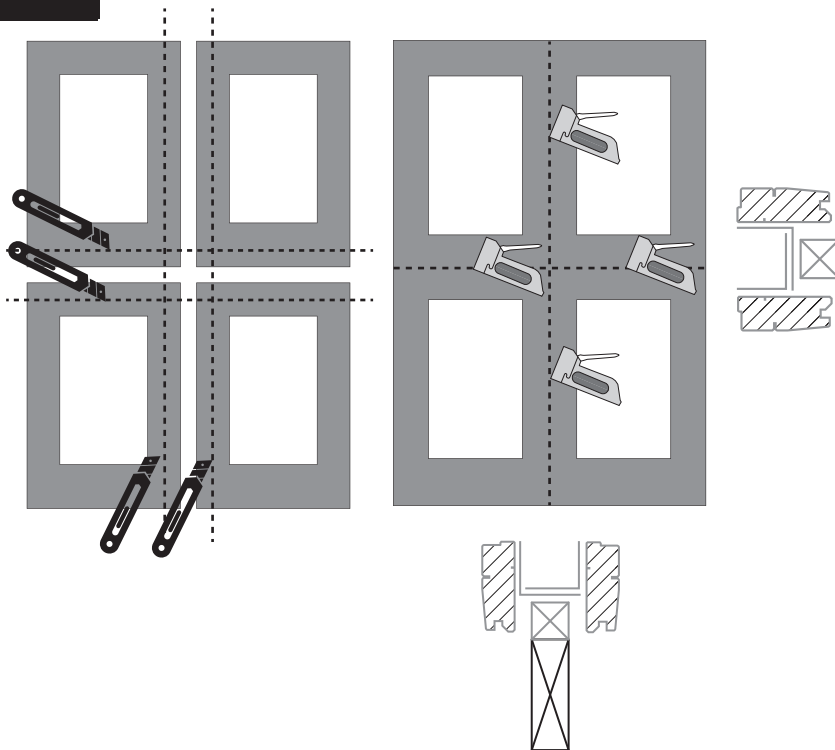
12

min  
3%

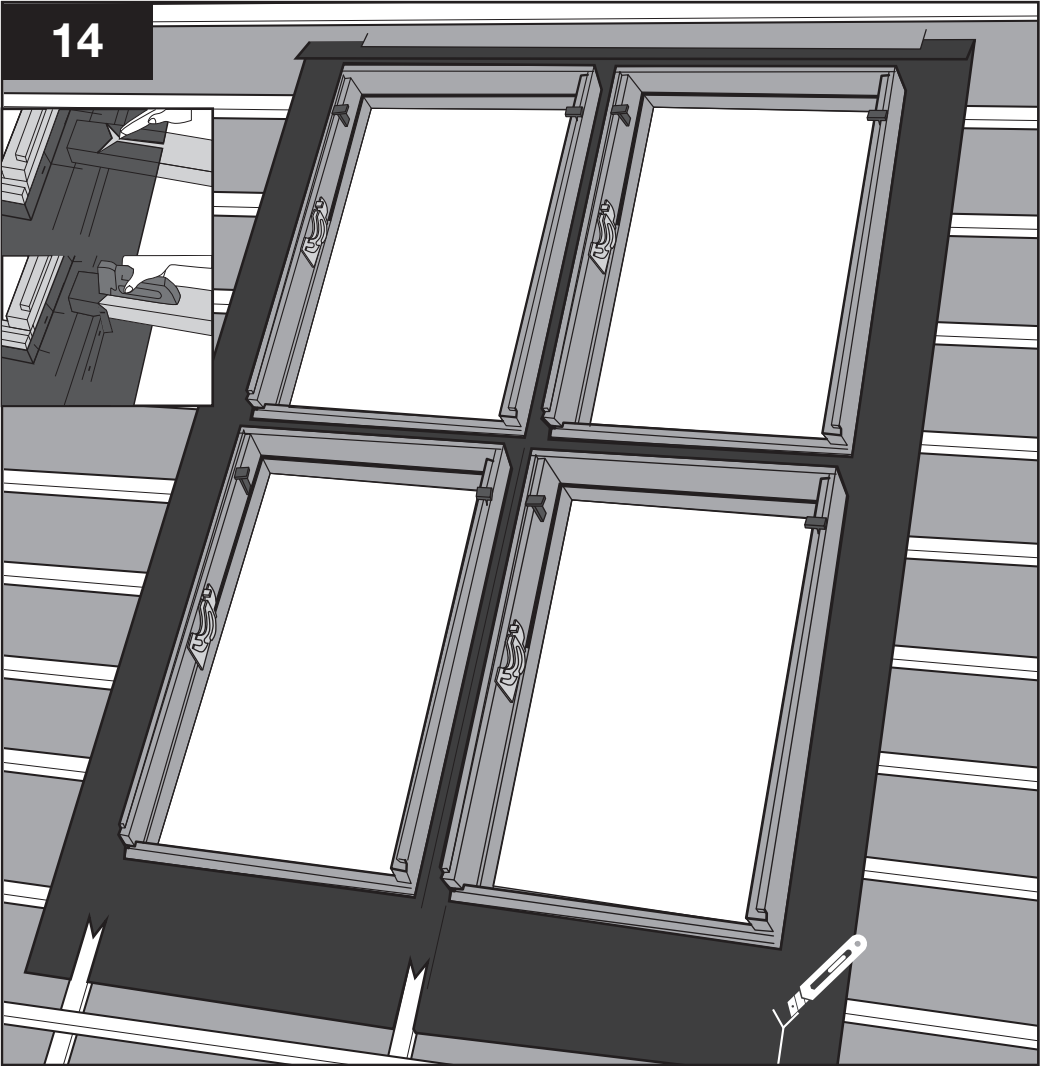


13

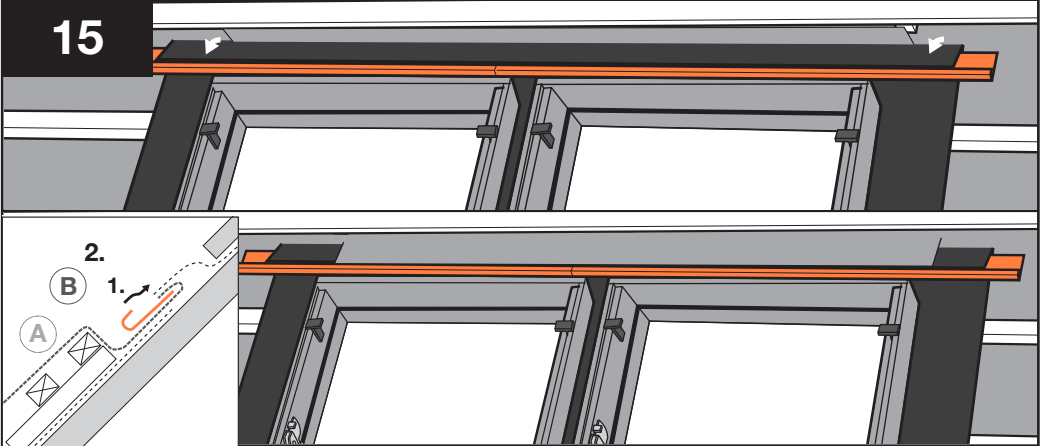
  
RUC

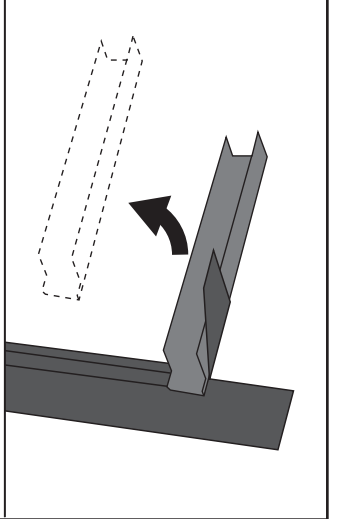
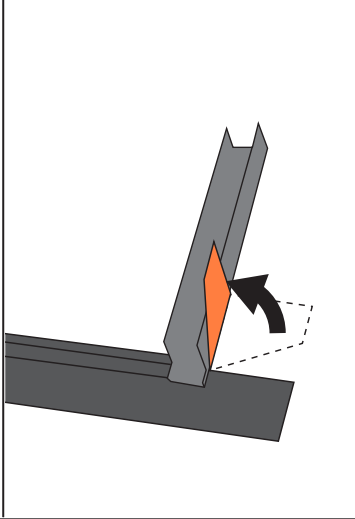
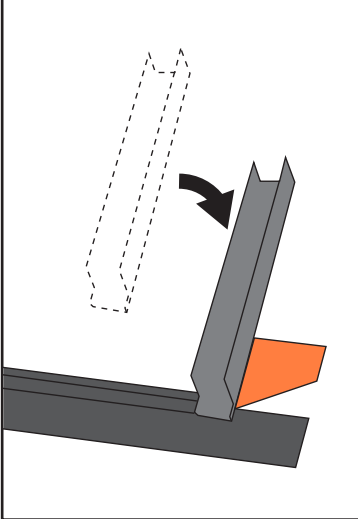
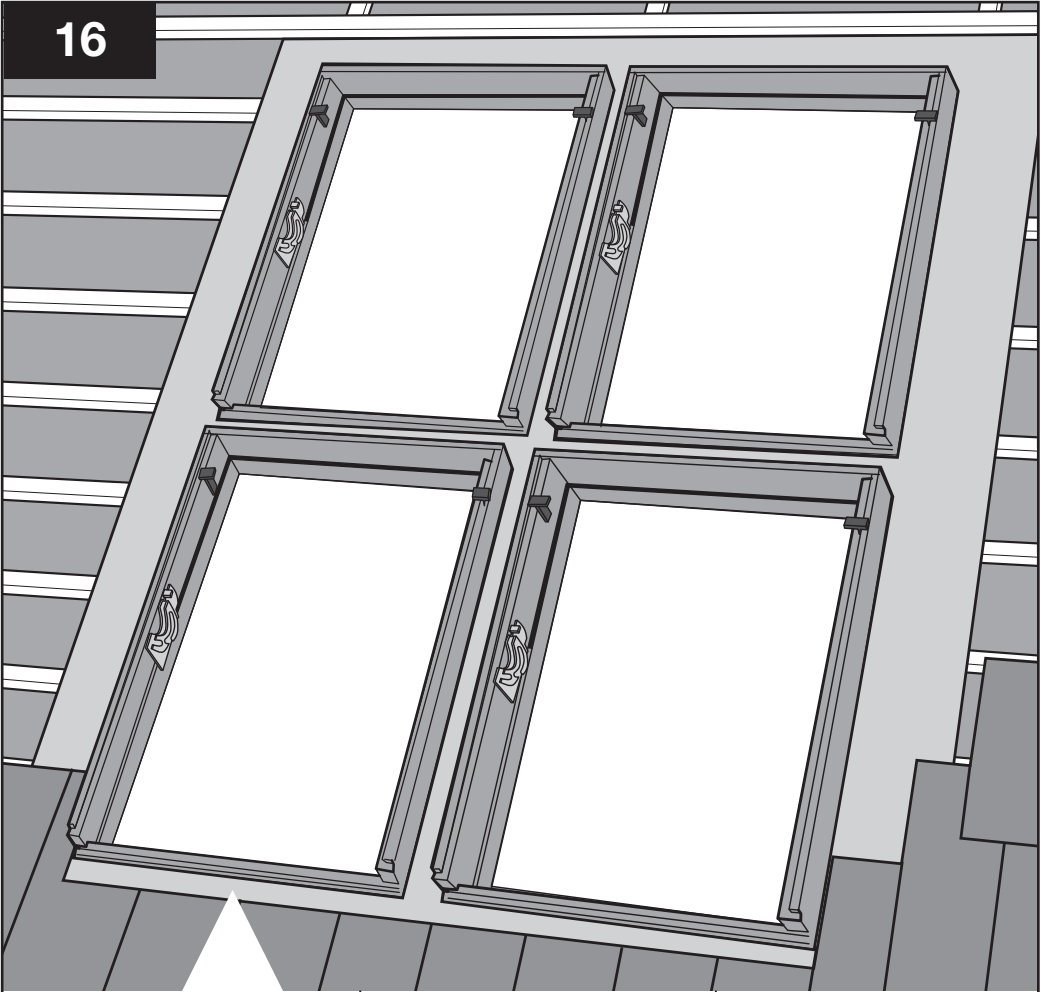


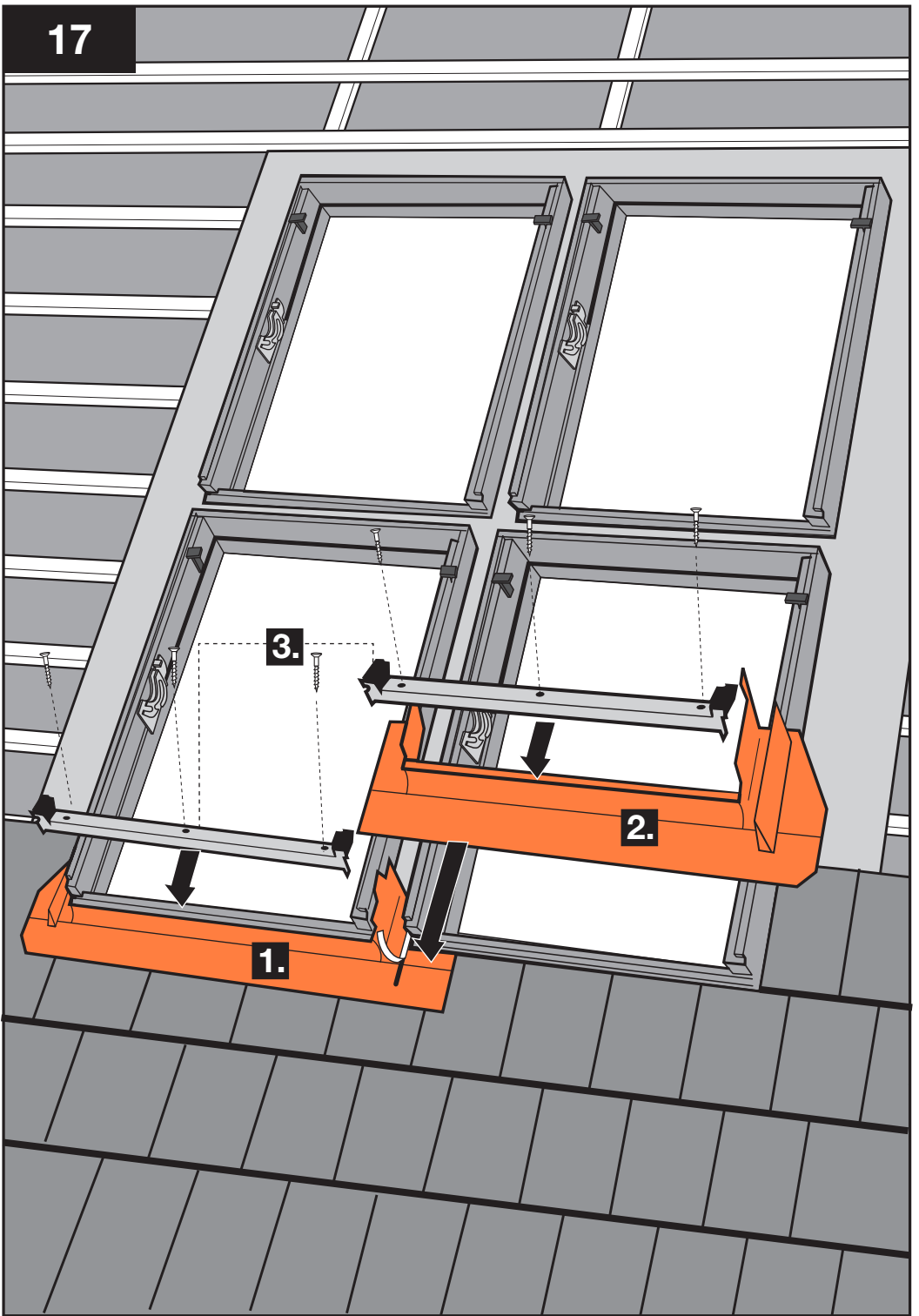
14

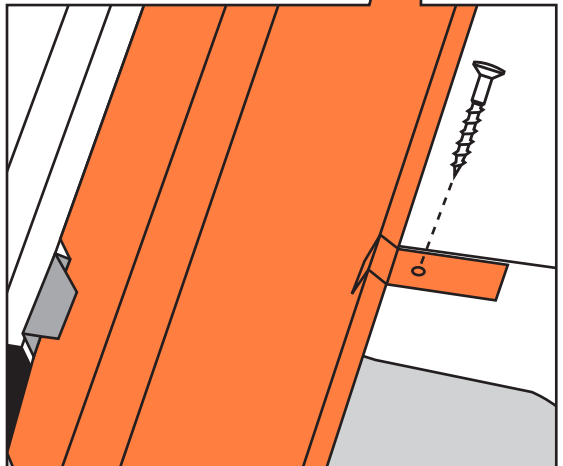
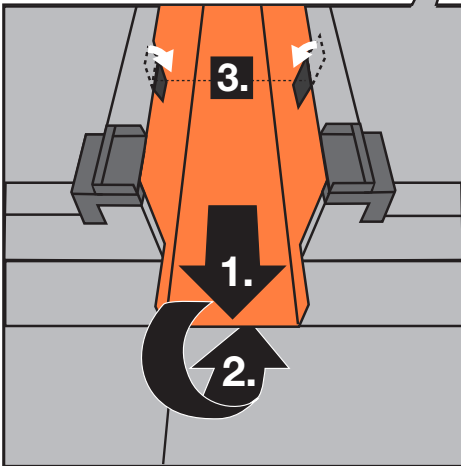
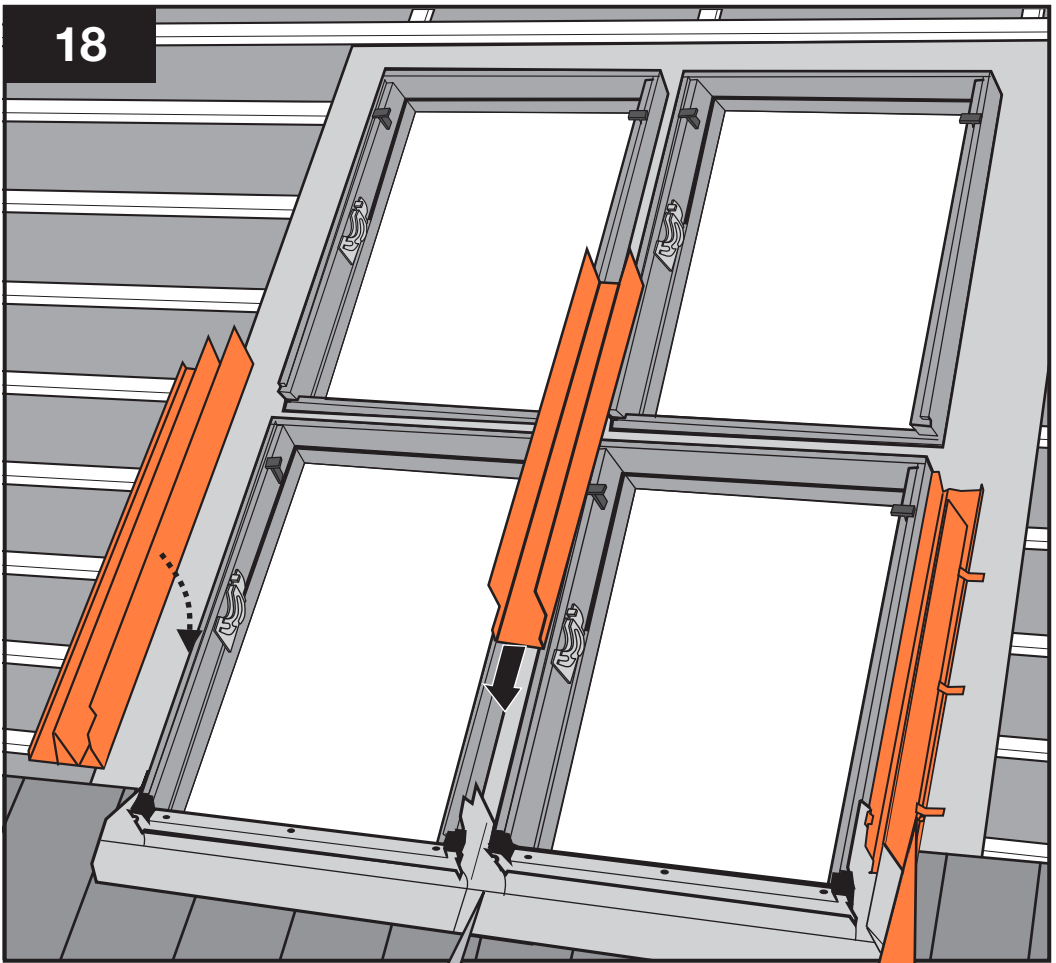


15

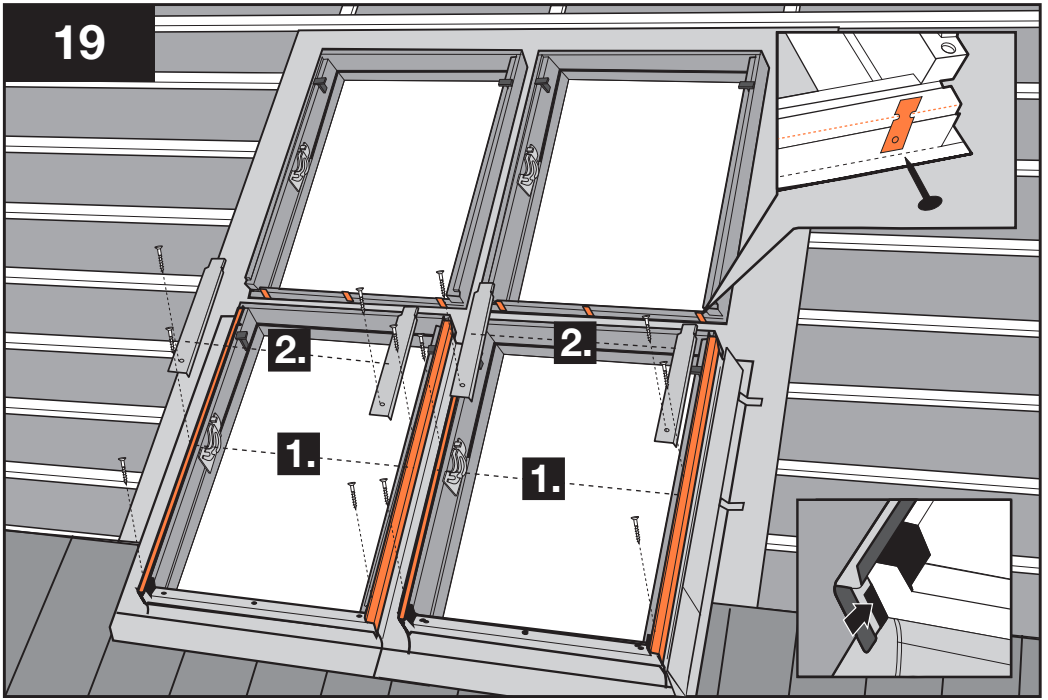




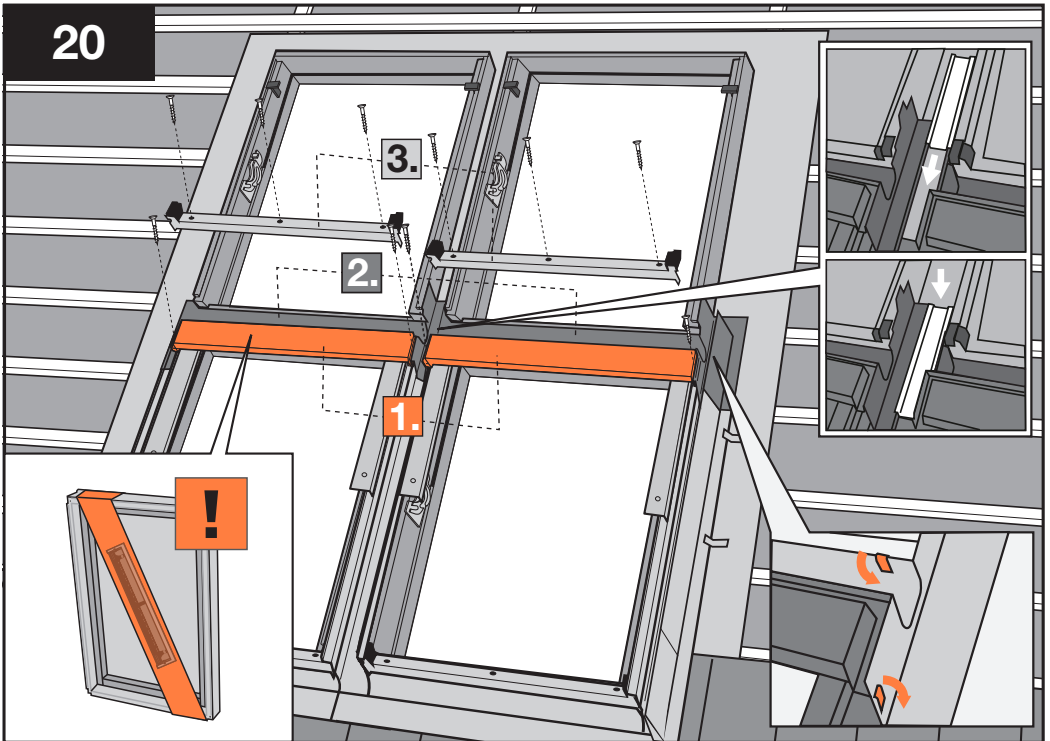




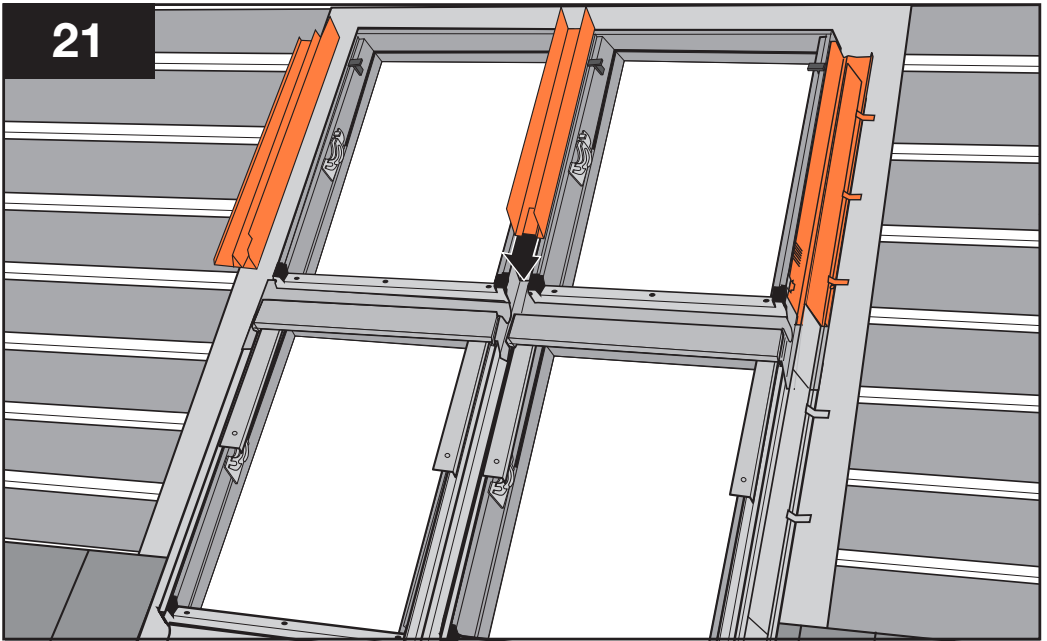
19



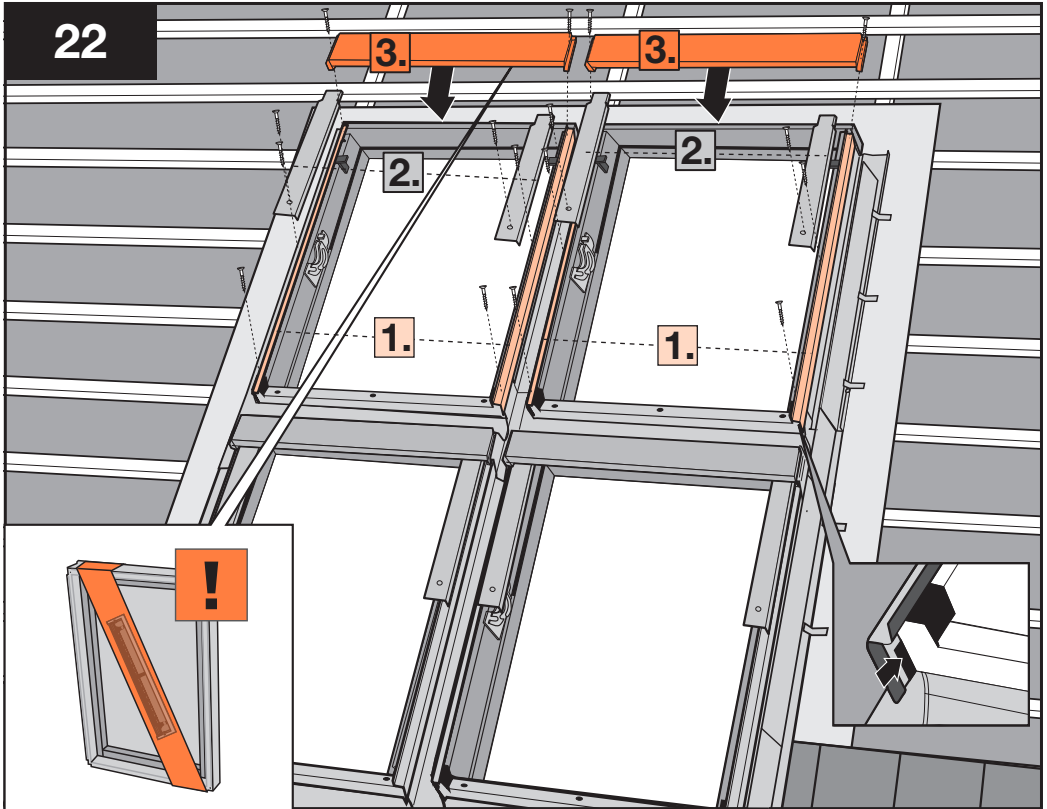
20



21

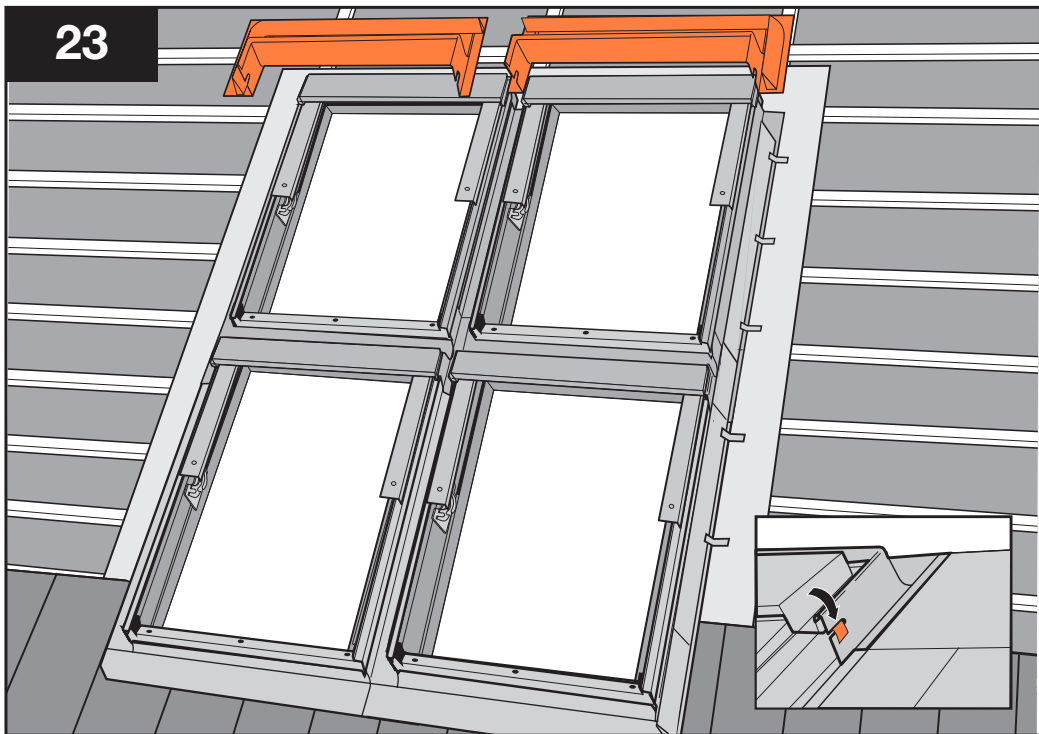


22

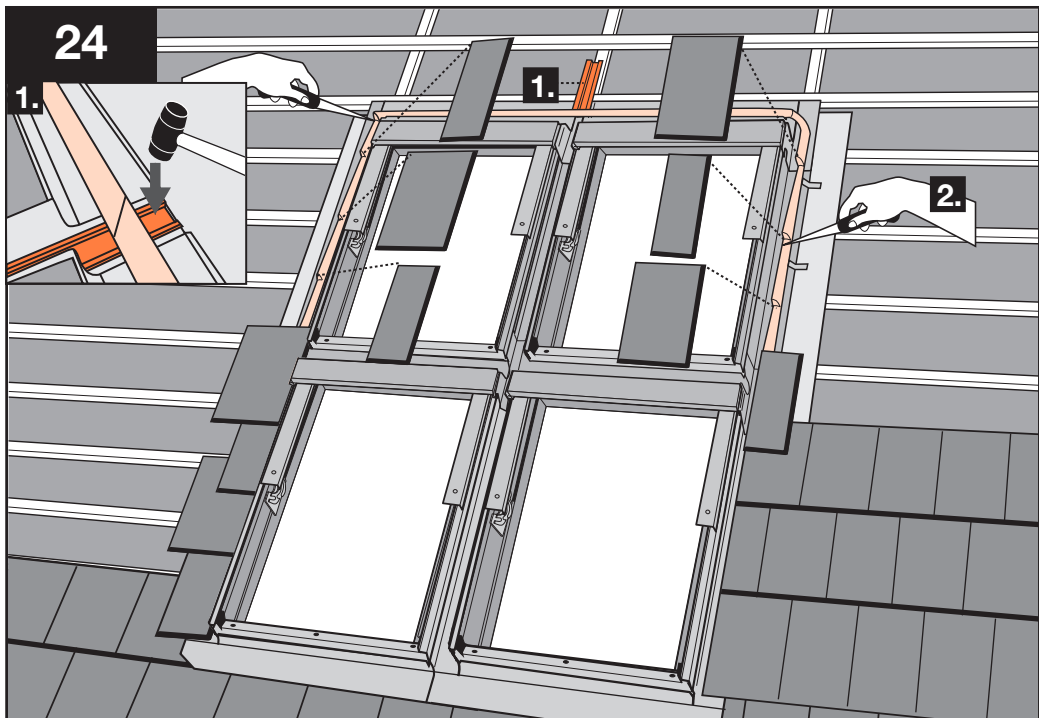




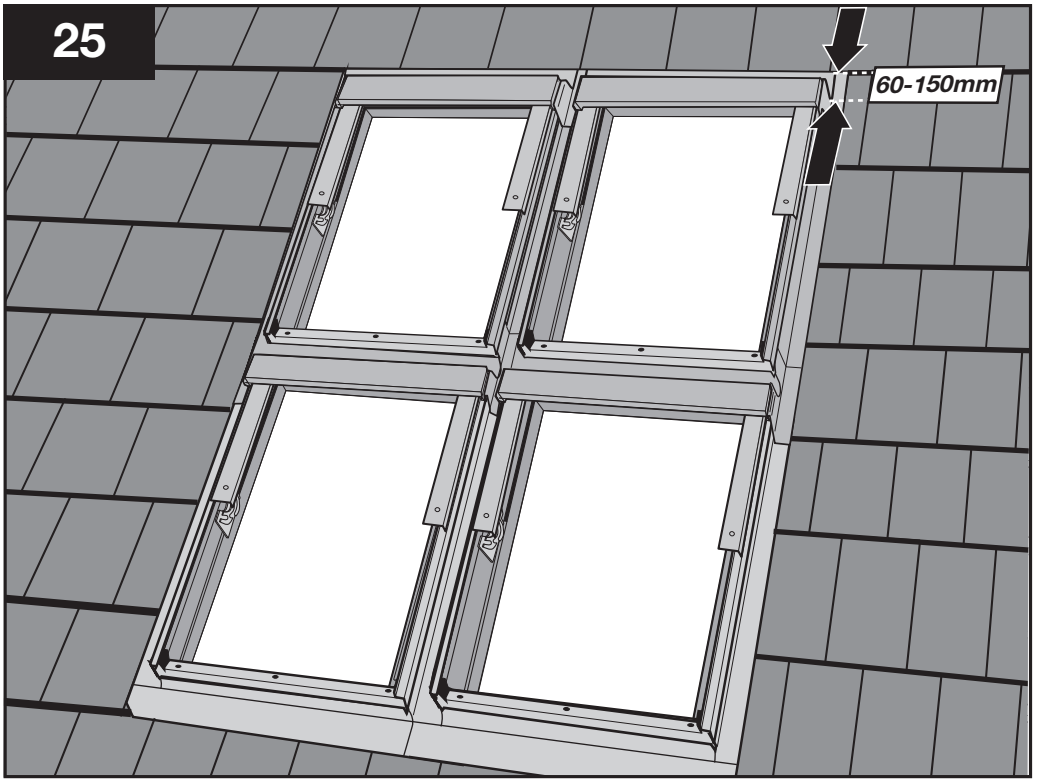
23



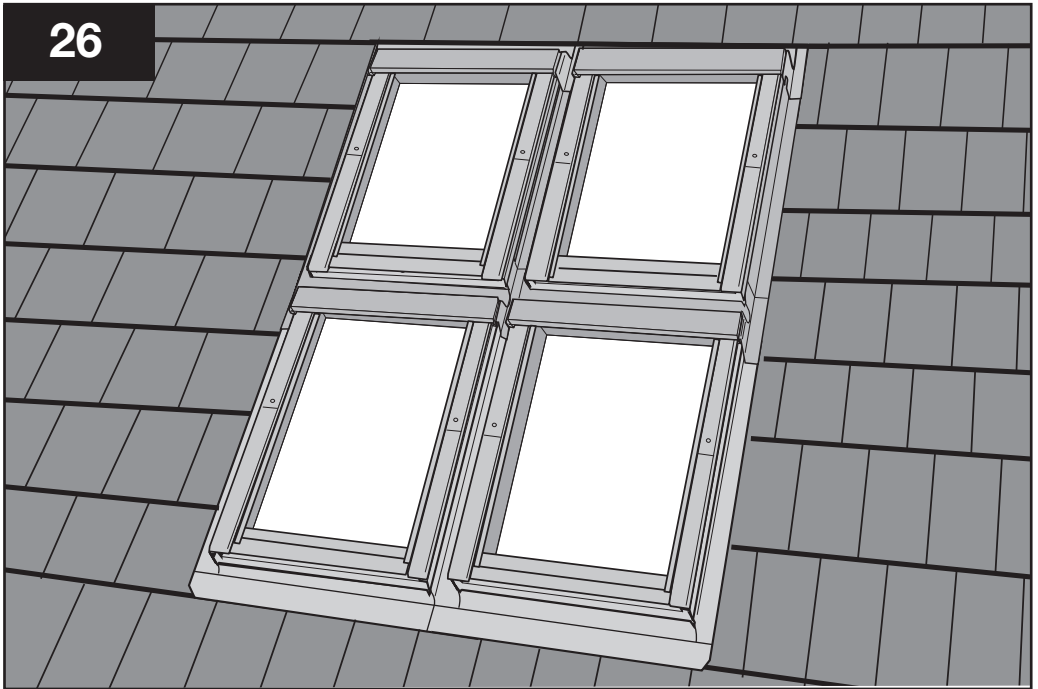
24



25



26







**15-90°**