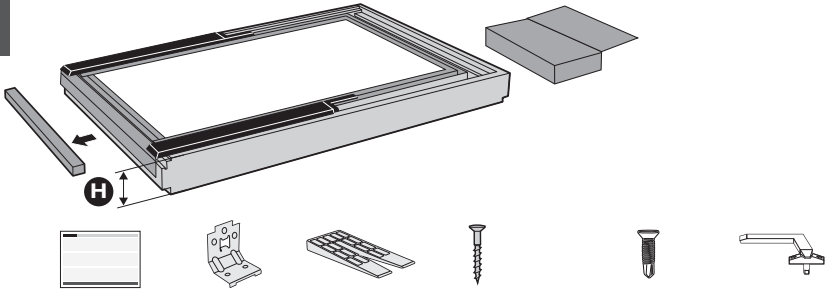



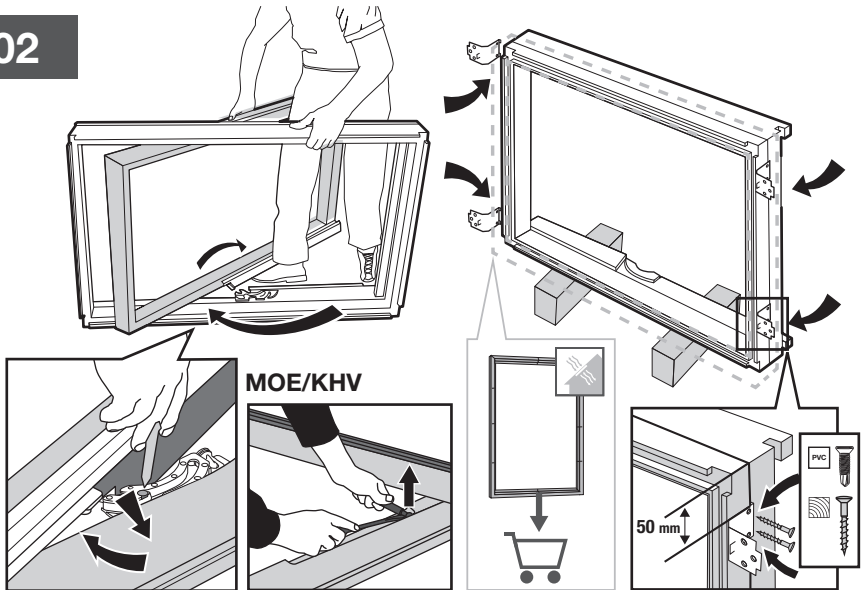


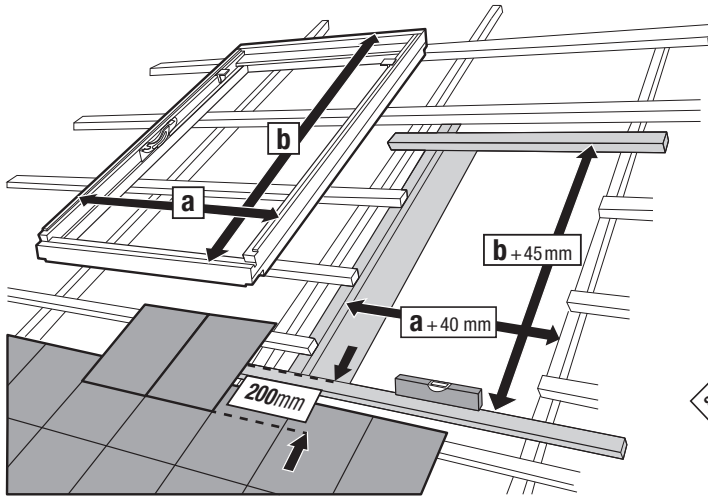
01



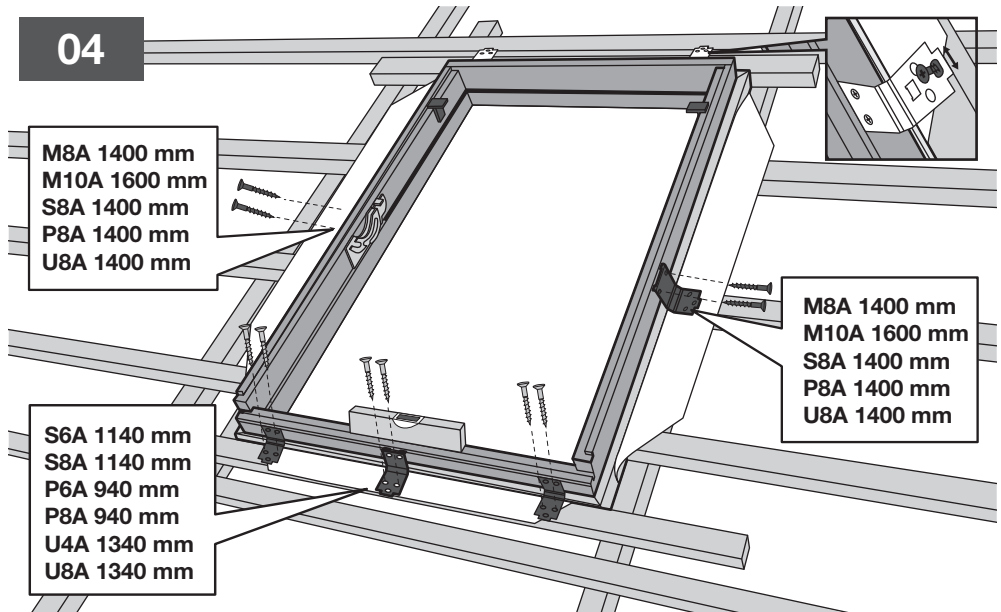
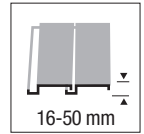
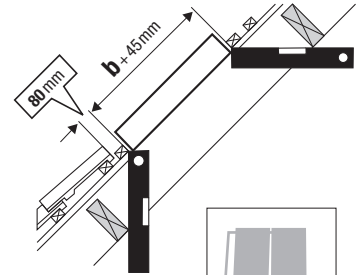
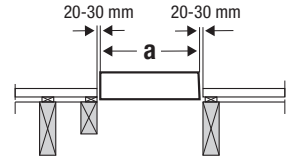
H = 120 mm		x1		x1	x18: C2A, C4A, F4A, F6A, M4A, M6A, M8A, M10A, P6A, S6A, U4A	x10: C2A, C4A, F6A, M4A, M6A x12: S6A, P6A, U4A x14: M8A, M10A	Ø
H = 120 mm		x1	x4: C2A, C4A, F4A, F6A, M4A, M6A x5: P6A, S6A, U4A x6: M8A, M10A x7: P8A, S8A, U8A	x1	x18: C2A, C4A, F4A, F6A, M4A, M6A x27: M8A, M10A, P6A, S6A, U4A x36: P8A, S8A, U8A	Ø	Ø
H = 91 mm		x1		x1	x18: C2A, C4A, F6A, M4A, M6A, x27: M8A, S6A	Ø	x1

02

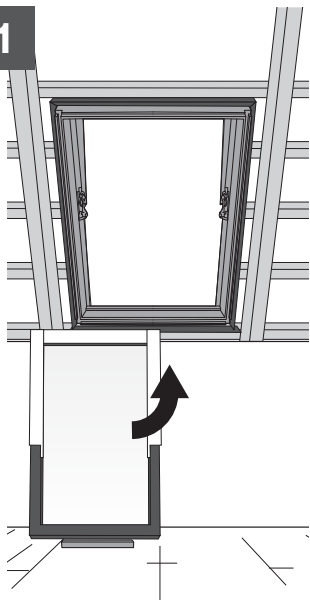




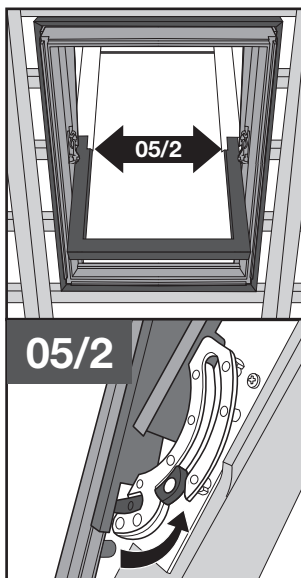
KFT
FTX



05/1

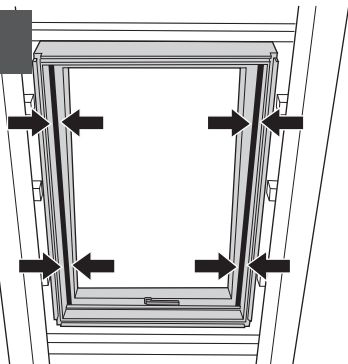


05/2

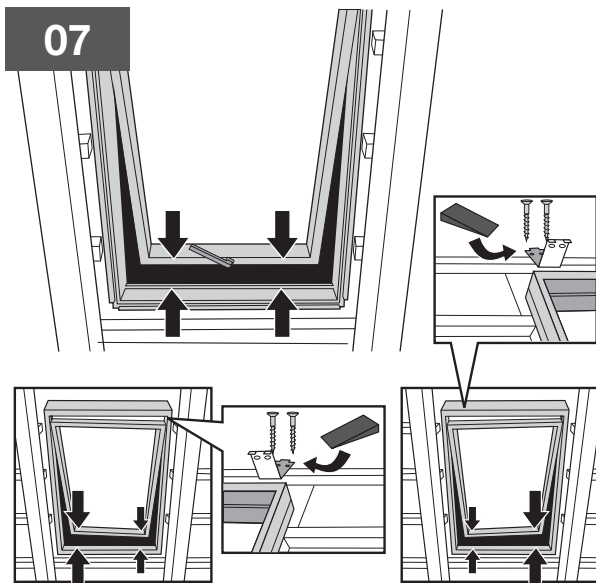


05/2

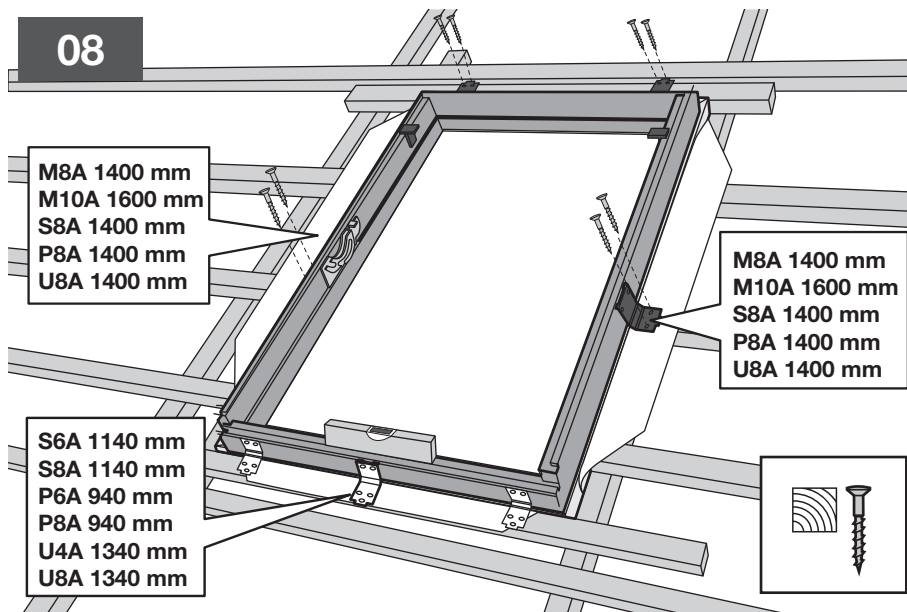
06



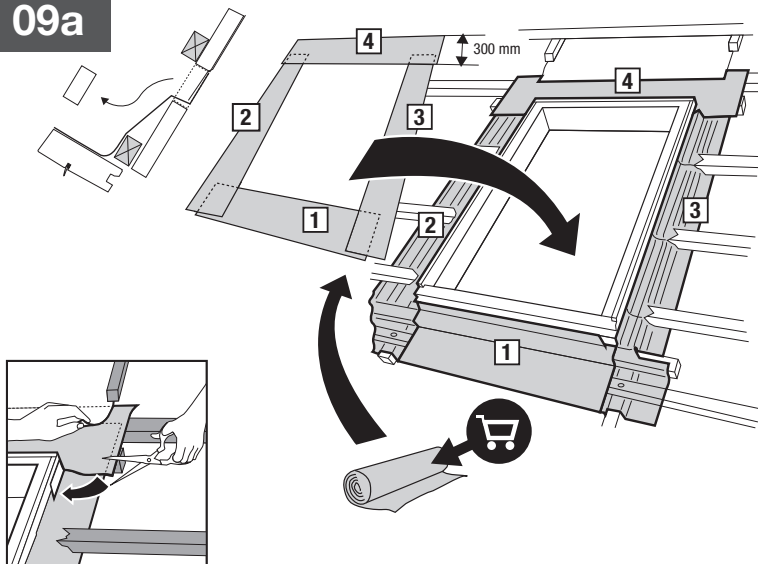
07

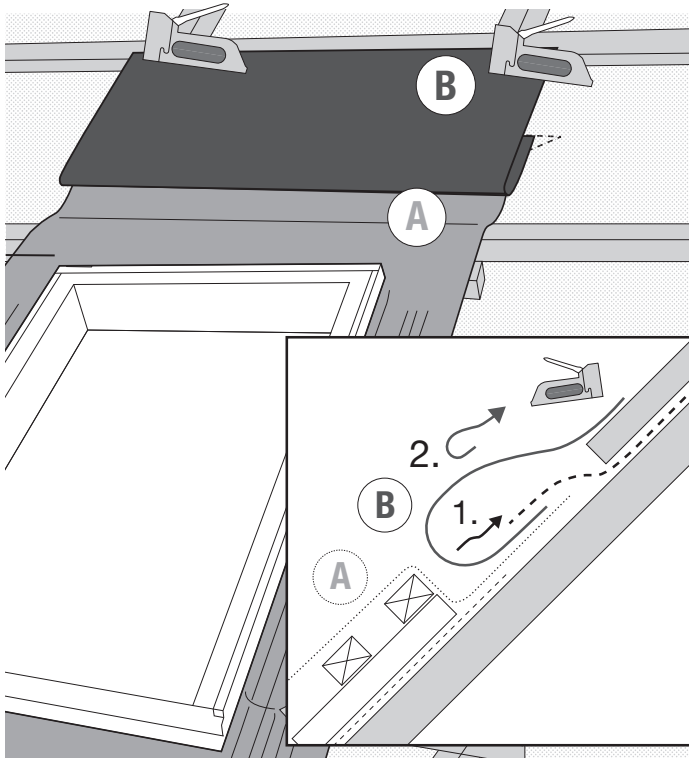
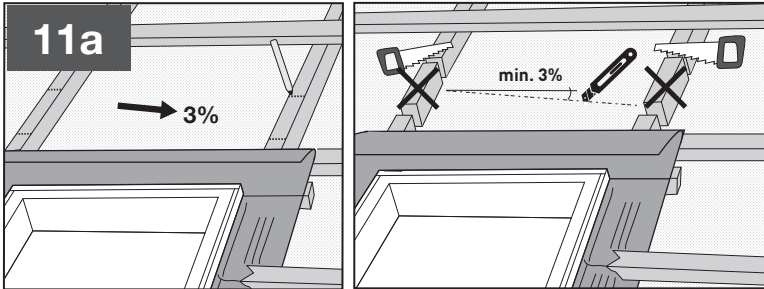
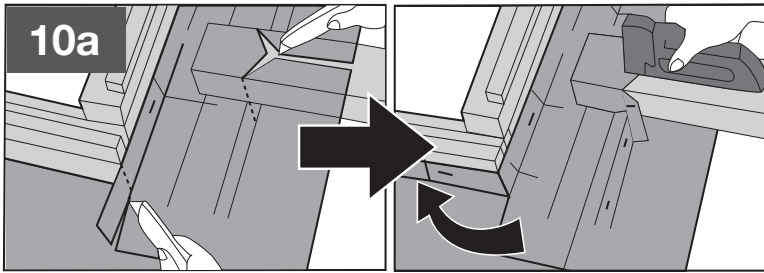


08

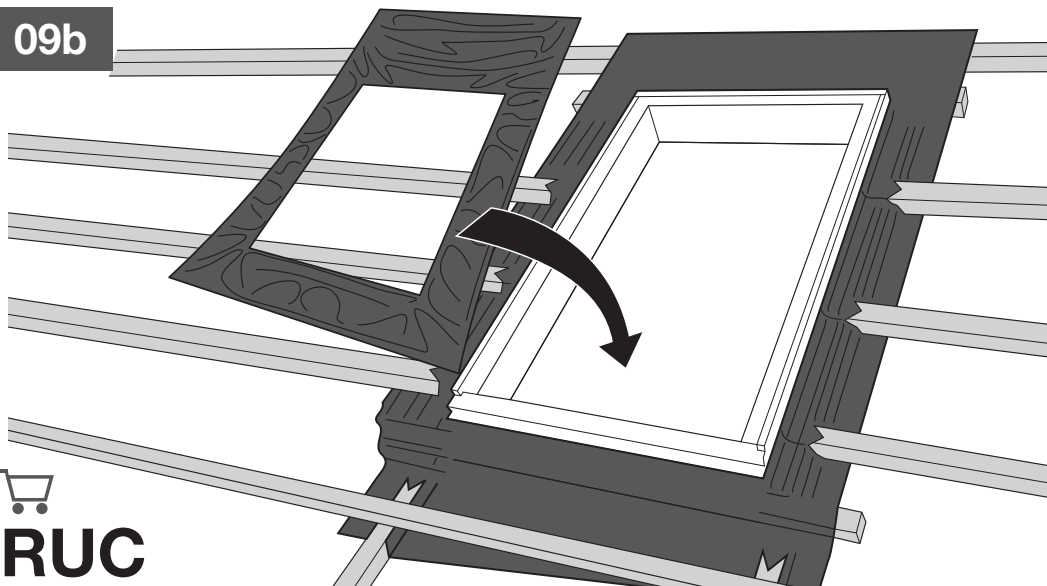


09a



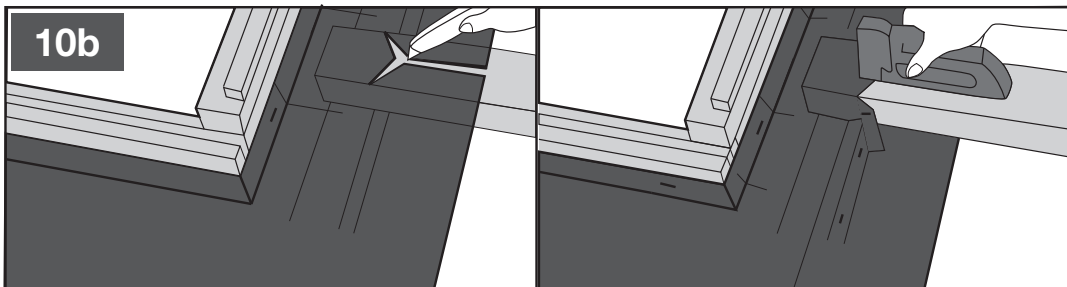


09b

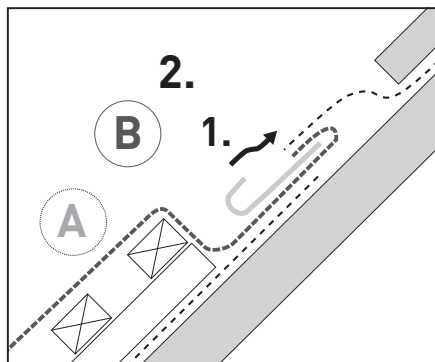
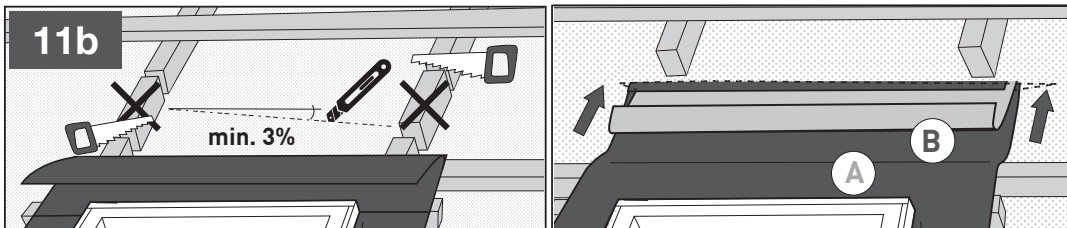


RUC

10b



11b

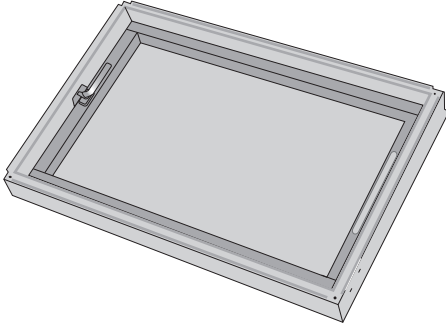


KFT
FTX

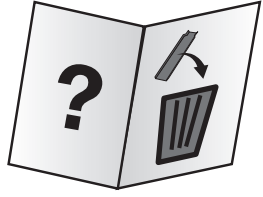
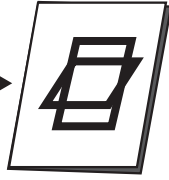
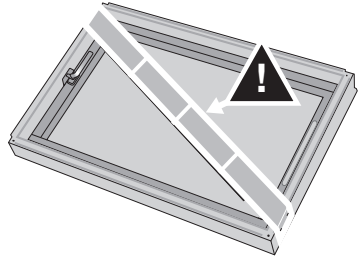
A



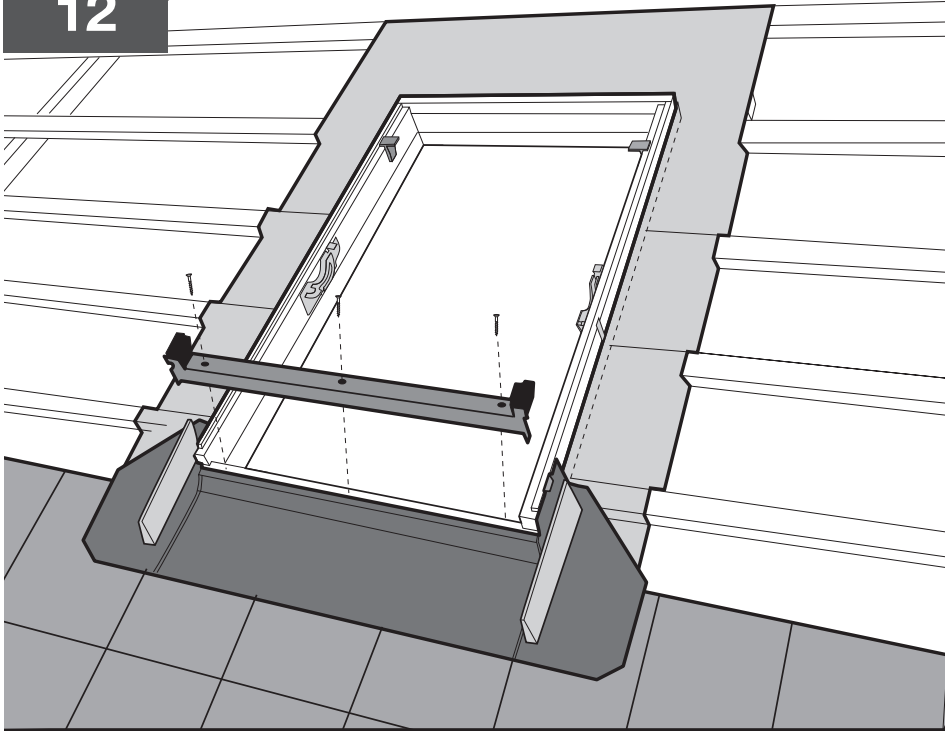
12



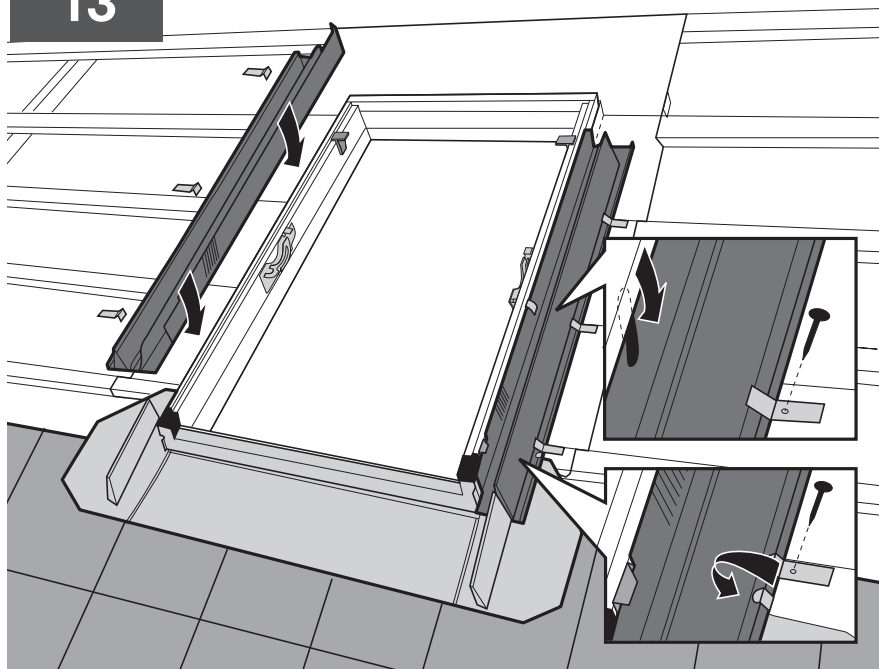
B



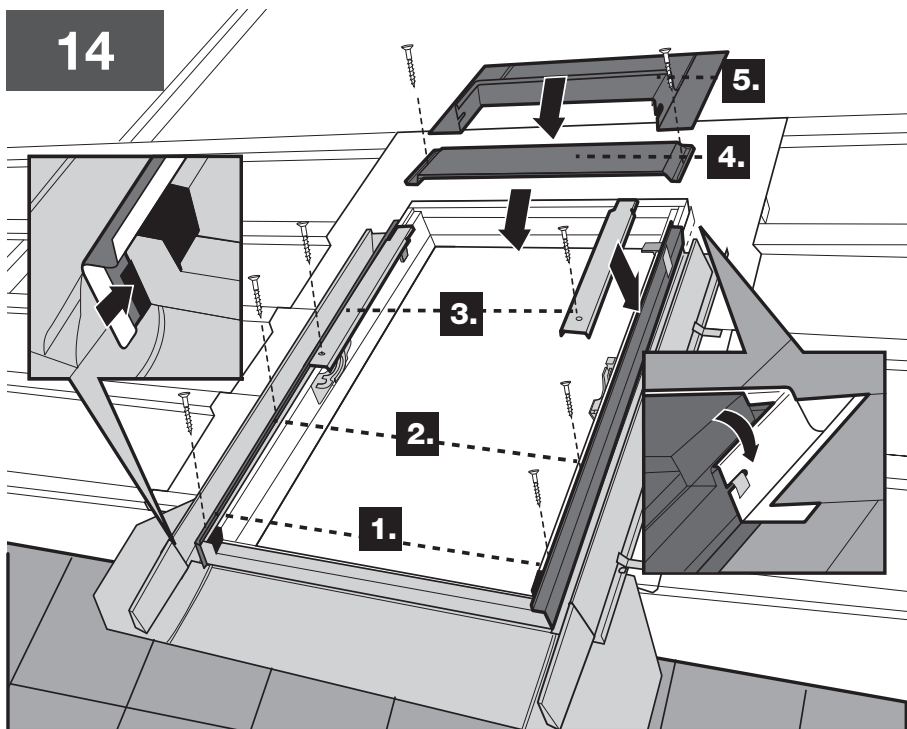
12



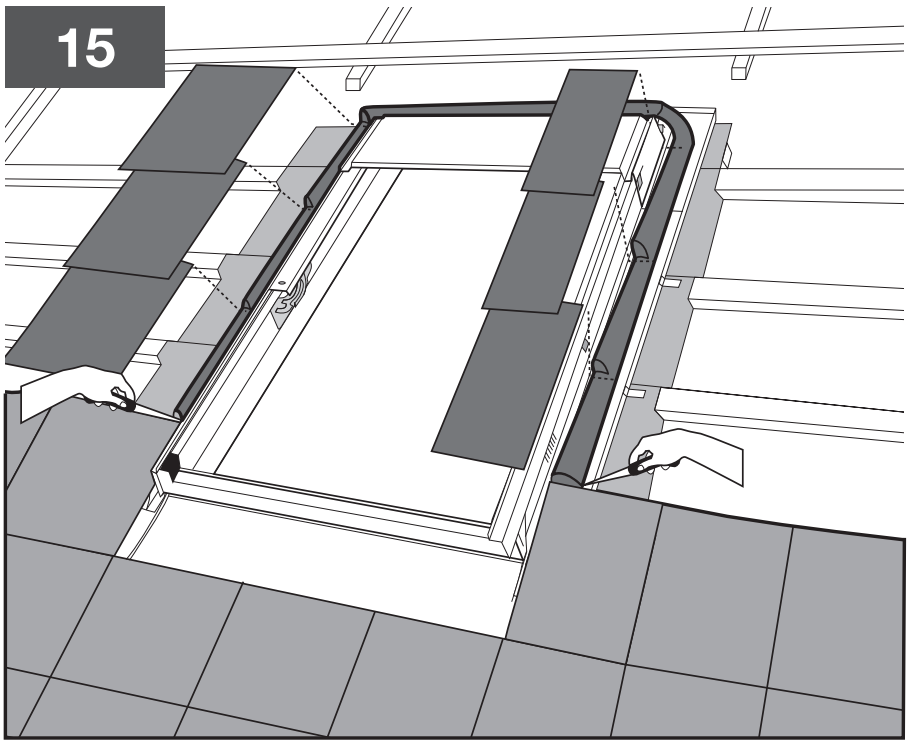
13



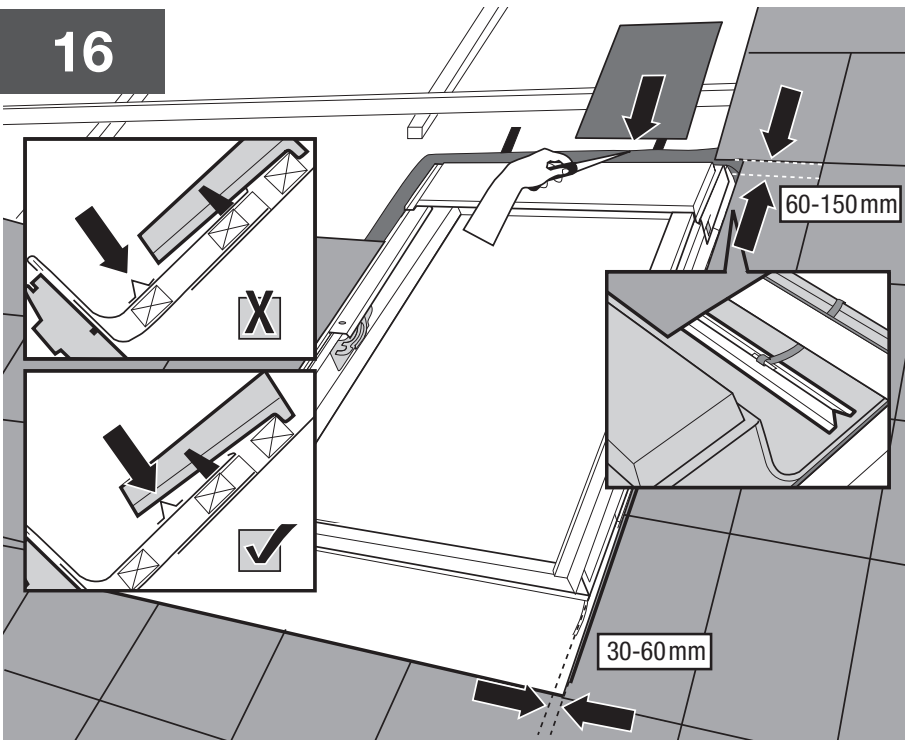
14



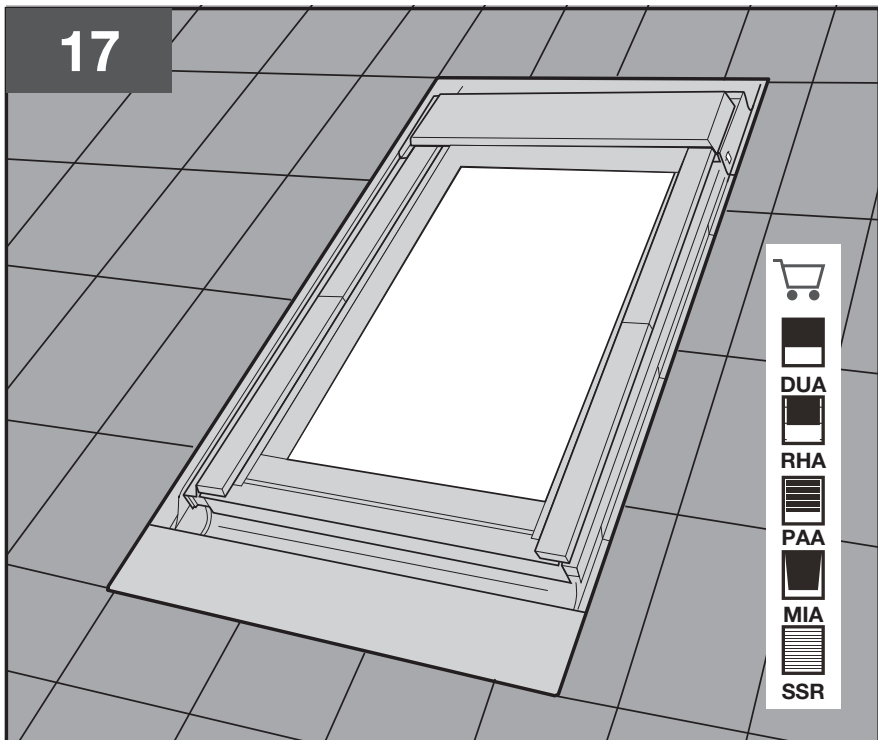
15



16



17



DUA



RHA



PAA



MIA



SSR